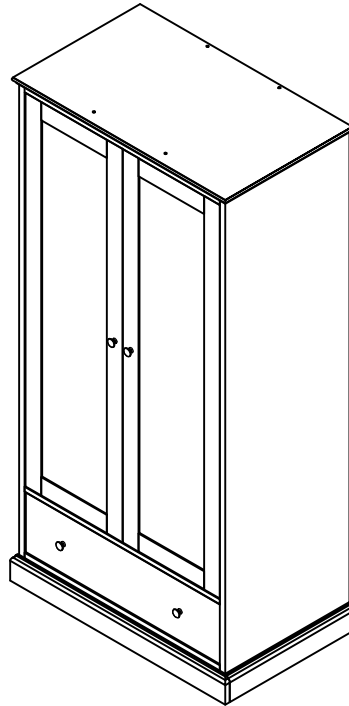


ASHBY DOUBLE WARDROBE

Stock number: 790X-82

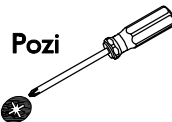
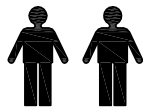
Thank you for purchasing this product. Please read the instructions carefully before use to ensure safe and satisfactory operation of this product.



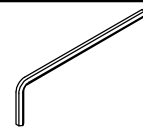
Pre-assembly preparation

Please ensure instructions are read in full before attempting to assemble this product.

Necessary Tools



(Included)



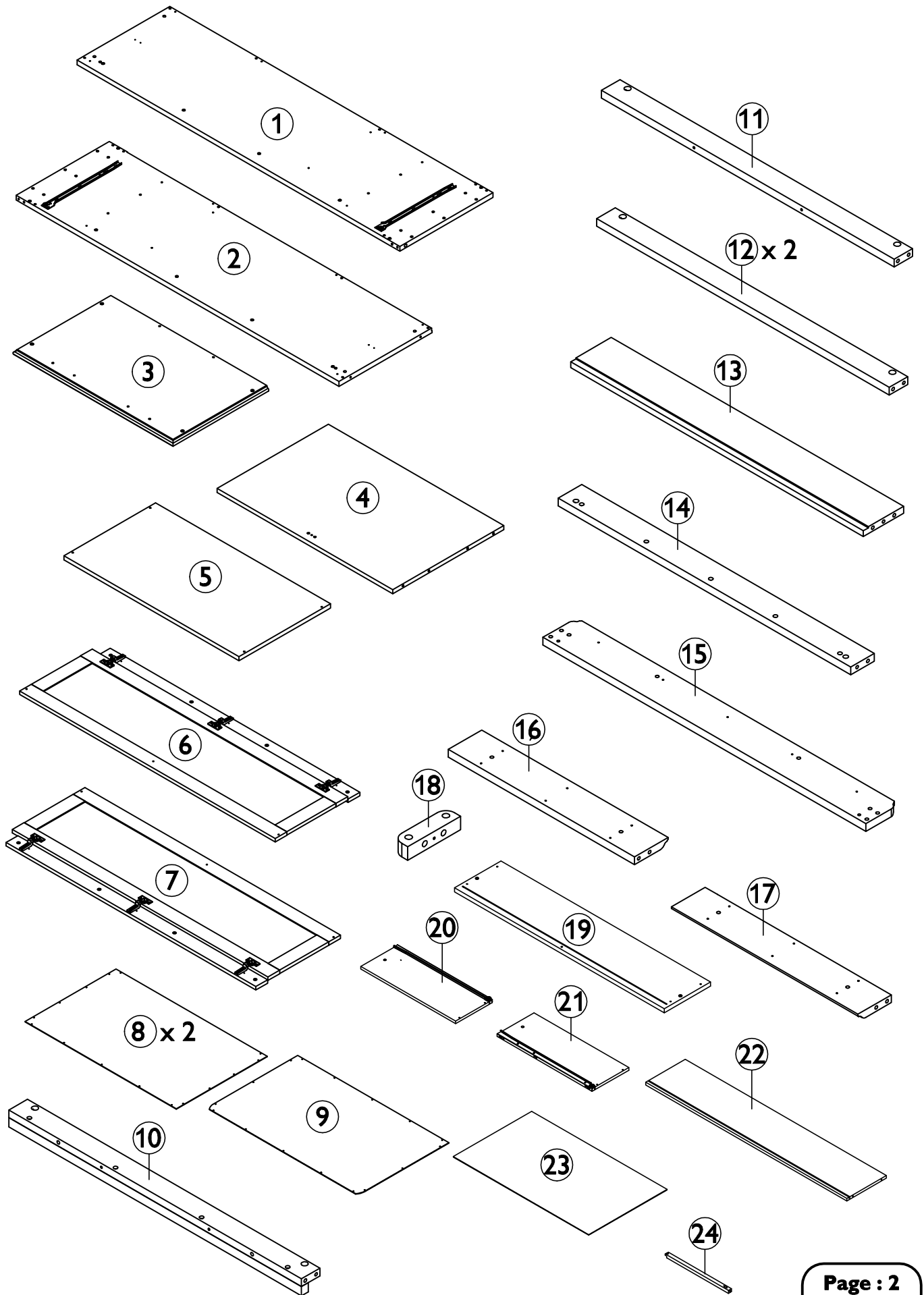
Please check the pack contents before attempting to assemble this product. A full checklist of components is given in this leaflet. If any components are missing, please contact the retailer from whom you bought this product.

This product is **HEAVY**, it should be assembled as near as possible to the point of use. **TAKE CARE WHEN LIFTING** to avoid personal injury and (or) damage to the product.

This product takes approximately **60 MINUTES** to assemble with **2 PEOPLE**.

The fittings pack contains **SMALL ITEMS** which should be **KEPT AWAY FROM YOUNG CHILDREN**.



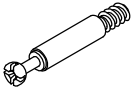




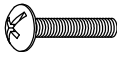
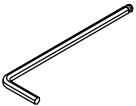
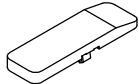


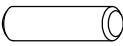



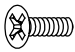
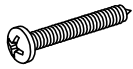
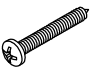
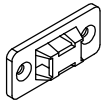






Read this leaflet in full before commencing assembly.



Parts checklist

Item	Description	Qty.	Item	Description	Qty.
1	Left side panel	x 1	13	Bottom back rail	x 1
2	Right side panel	x 1	14	Bottom front rail	x 1
3	Top panel	x 1	15	Front moulding	x 1
4	Bottom panel	x 1	16	Right moulding	x 1
5	Shelf	x 1	17	Left moulding	x 1
6	Left door	x 1	18	Door stopper	x 1
7	Right door	x 1	19	Drawer front	x 1
8	Back panel	x 2	20	Left drawer side	x 1
9	Back panel	x 1	21	Right drawer side	x 1
10	Top front rail	x 1	22	Drawer back	x 1
11	Top back rail	x 1	23	Drawer bottom	x 1
12	Center back rail	x 2	24	Support drawer	x 1

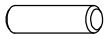
Fittings checklist

Item	Description	Qty.	Item	Description	Qty.
A	Cam lock Ø15x12.5mm 	x 14	P	Hanger rail 	x 1
B	Cam screw Ø7x44.5mm 	x 14	Q	Wood shelf support 	x 4
C	Grub screw 	x 8	R	Handle 	x 4
D	Steel dowel Ø7x49.5mm "O"Ring 	x 8	S	Round head bolt M4x28mm 	x 4
E	Allen key M4x30x107 	x 1	T	Hinge cover cap 	x 6
F	Hex head bolt M6x25mm 	x 8	U	Small steel dowel Ø5.5x45mm "O"Ring 	x 2
G	Dowel Ø8x30mm 	x 34	V	Grub screw M7x7.5mm 	x 2
H	Hanger rail support 	x 2	X	Round head screw Ø4x18mm 	x 1
J	Varianta screw Ø4.2x10.5mm 	x 4	Y	Round head screw Ø4x40mm 	x 4
K	Round head screw Ø4x30mm 	x 12	aa	Mounting plate 	x 2
L	Round head screw Ø4x25mm 	x 7	bb	Nylon strap 	x 1
M	Hex head bolt Ø7x50mm 	x 4	cc	Flat head screw Ø4x15mm 	x 2
N	Round head screw Ø3.5x15mm 	x 52	dd	Dowel Ø6x30mm 	x 4

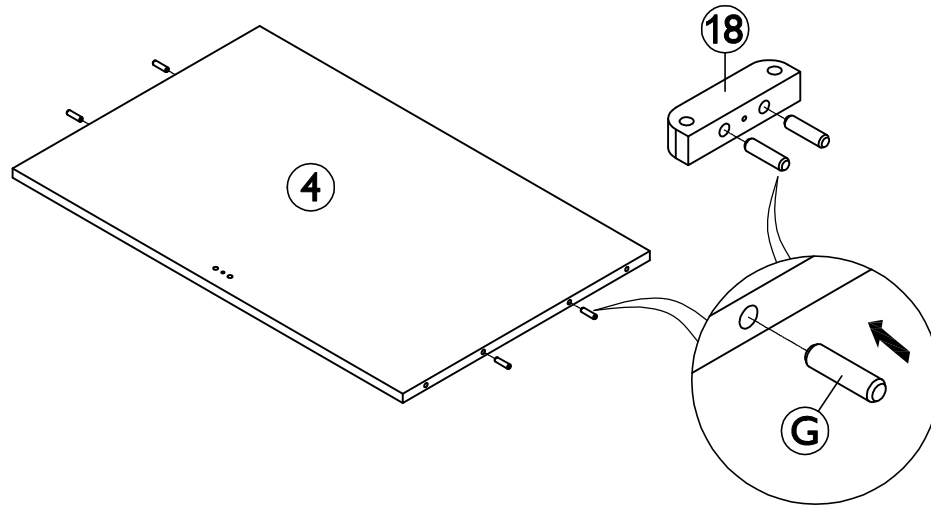
Step by step assembly instructions

Step 1 : Insert 6x dowels (G) into the pre-drilled holes on bottom panel (4) and door stopper (18) as shown.

Fitting



G x 6

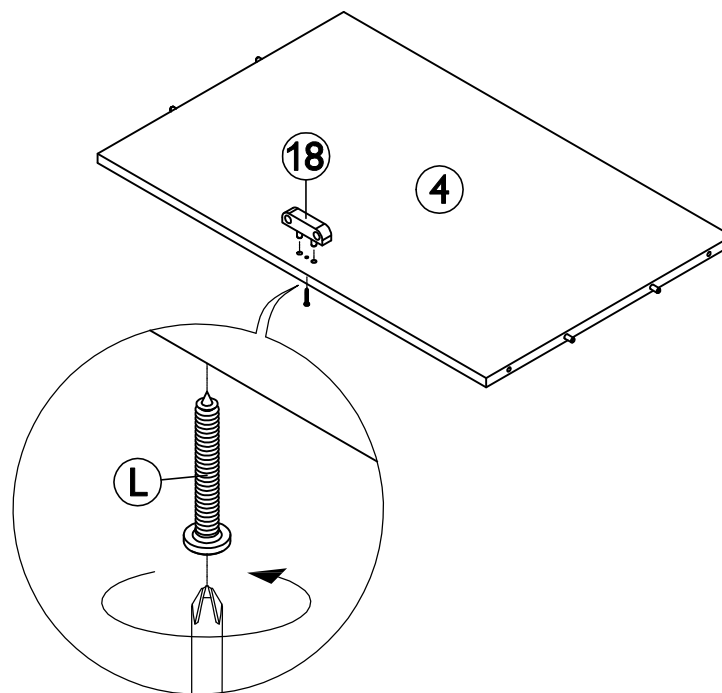


Step 2 : Attach door stopper (18) onto bottom panel (4) using 1x round head screw (L) as shown. Use a screwdriver to turn fitting (L) clockwise to fix.

Fitting



L x 1



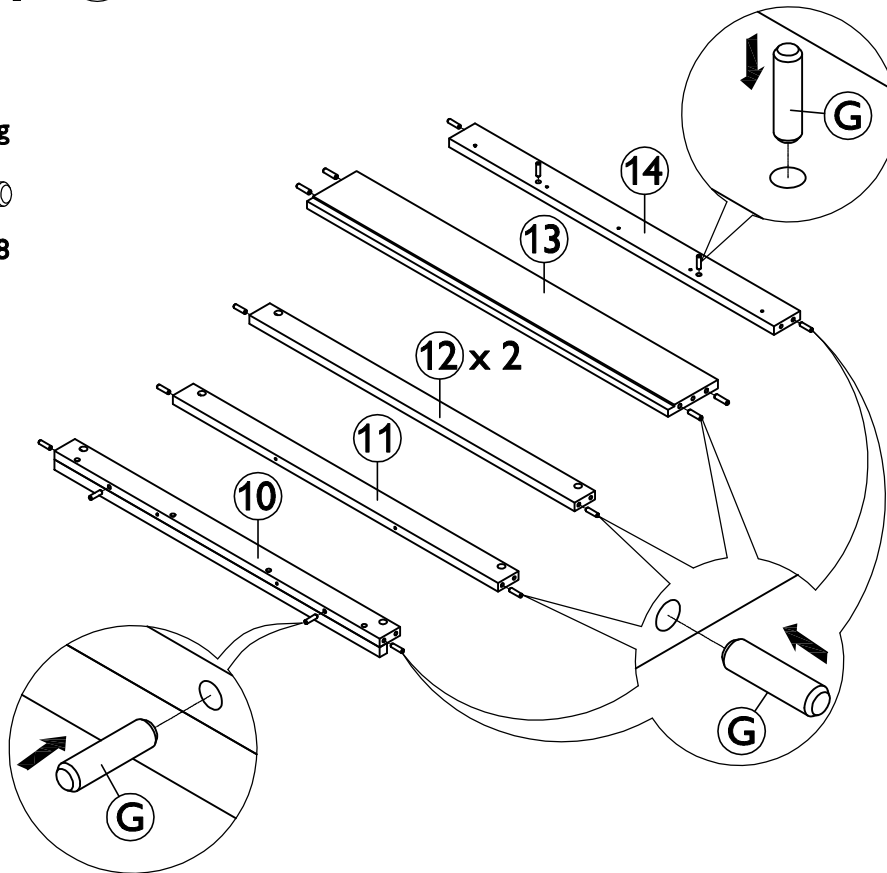
Step by step assembly instructions

Step 3 : Insert 18x dowels (G) into the pre-drilled holes on rails (10), (11), (12), (13), (14) as shown.

Fitting



G x 18

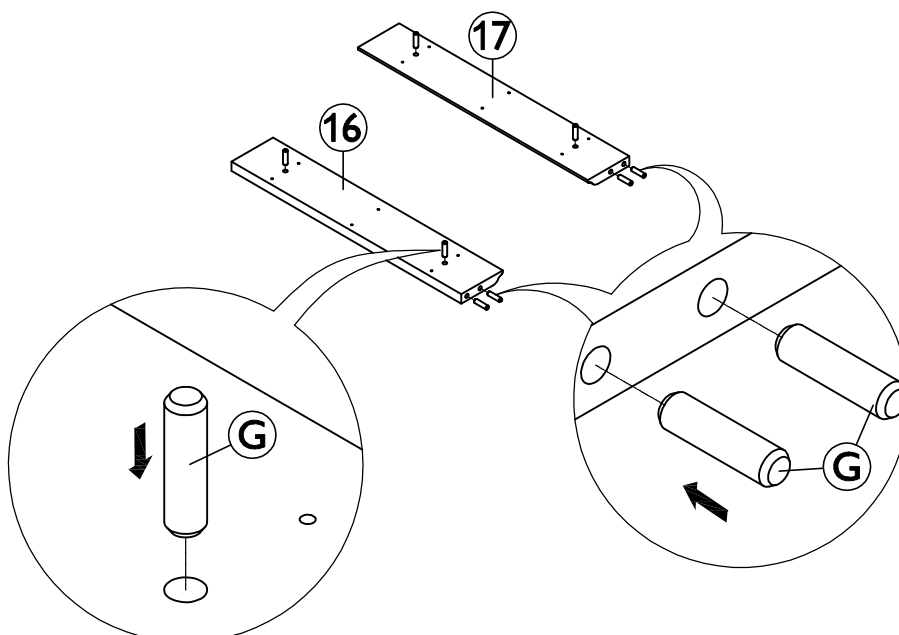


Step 4 : Insert 8x dowels (G) into the pre-drilled holes on mouldings (16), (17) as shown.

Fitting



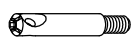
G x 8



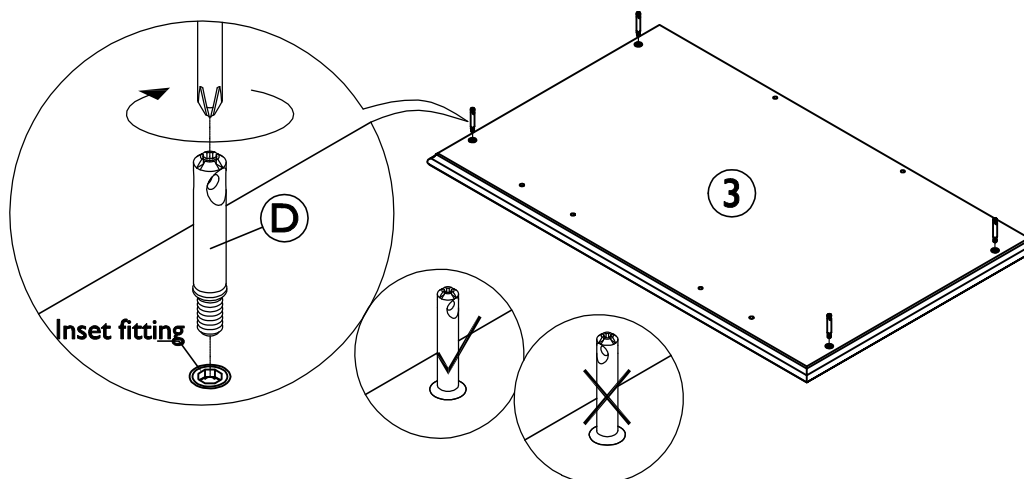
Step by step assembly instructions

Step 5 : Attach 4x steel dowels (D) into top panel (3) by screwing fittings (D) into the inset fittings that are located on part (3) as shown. Ensure the direction of the holes on fittings (D) are facing correctly as per diagram. Use a pozi screwdriver to turn fittings (D) clockwise to fix.

Fitting

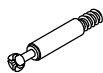


D x 4

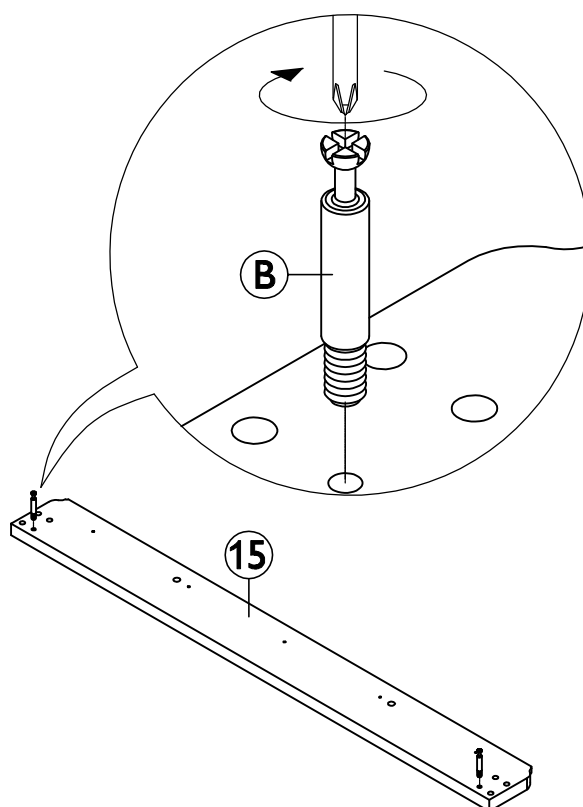


Step 6 : Attach 2x cam screws (B) into the pre-drilled holes on front moulding (15) as shown. Use a screwdriver to turn fittings (B) clockwise to fix.

Fitting



B x 2

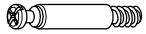


Step by step assembly instructions

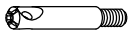
Step 7

- 7.1: Attach 1x hanger rail support (H) onto left side panel (1) using 2x varianta screws (J) as shown. Use a screwdriver to turn fittings (J) clockwise to fix.
- 7.2: Attach 6x cam screws (B) into the pre-drilled holes on left side panel (1) as shown. Use a screwdriver to turn fittings (B) clockwise to fix.
- 7.3: Insert 1x dowel (G) into the pre-drilled hole on left side panel (1) as shown.
- 7.4: Attach 2x steel dowels (D) into left side panel (1) by screwing fittings (D) into the inset fittings that are located on part (1) as shown. Ensure the direction of the holes on fittings (D) are facing correctly as per diagram. Use a pozi screwdriver to turn fittings (D) clockwise to fix.

Fitting



B x 6



D x 2



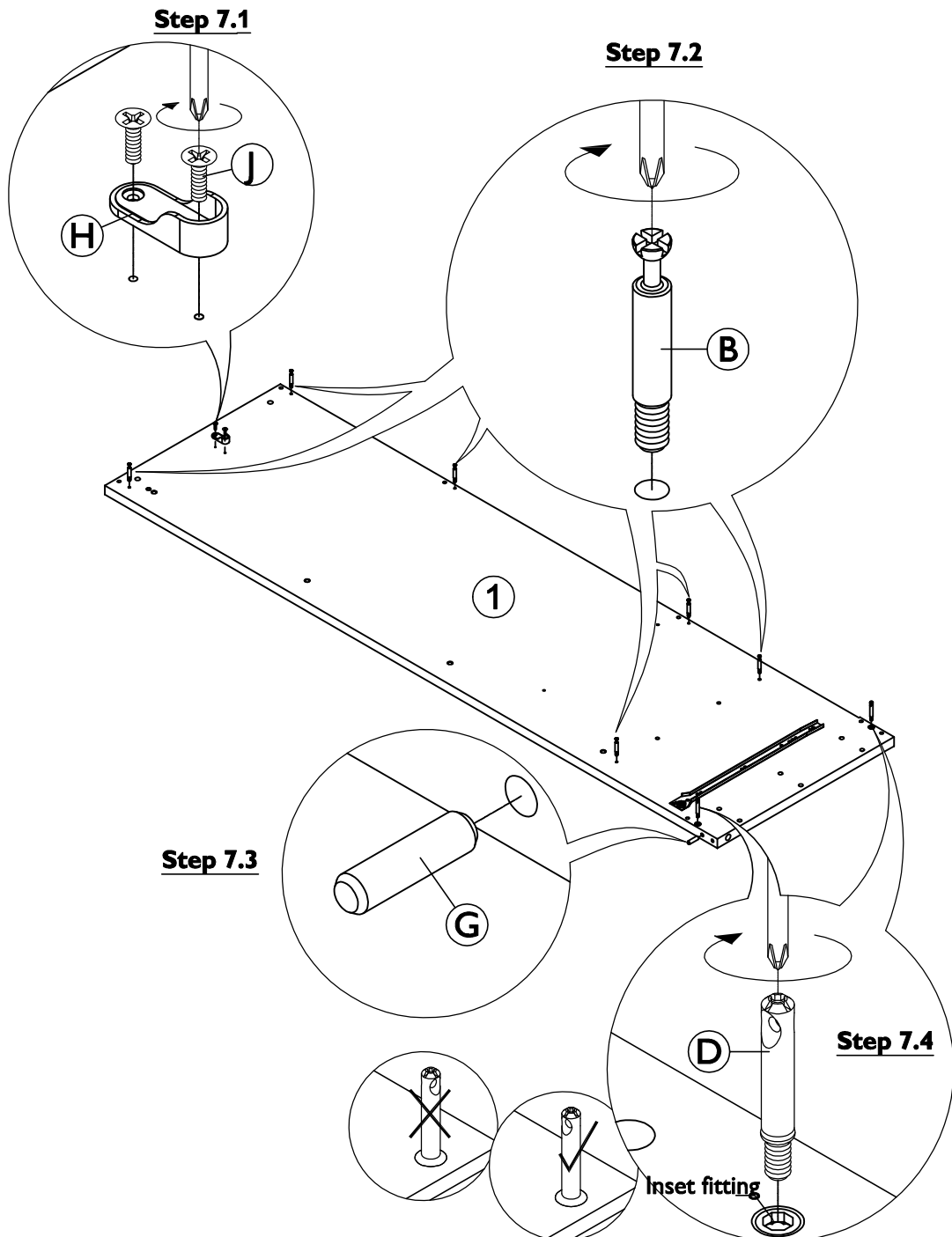
G x 1



H x 1



J x 2

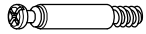


Step by step assembly instructions

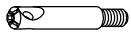
Step 8

- 8.1: Attach 1x hanger rail support (H) onto right side panel (2) using 2x varianta screws (J) as shown. Use a screwdriver to turn fittings (J) clockwise to fix.
- 8.2: Attach 6x cam screws (B) into the pre-drilled holes on right side panel (2) as shown. Use a screwdriver to turn fittings (B) clockwise to fix.
- 8.3: Insert 1x dowel (G) into the pre-drilled hole on right side panel (2) as shown.
- 8.4: Attach 2x steel dowels (D) into right side panel (2) by screwing fittings (D) into the inset fittings that are located on part (2) as shown. Ensure the direction of the holes on fittings (D) are facing correctly as per diagram. Use a pozi screwdriver to turn fittings (D) clockwise to fix.

Fitting



B x 6



D x 2



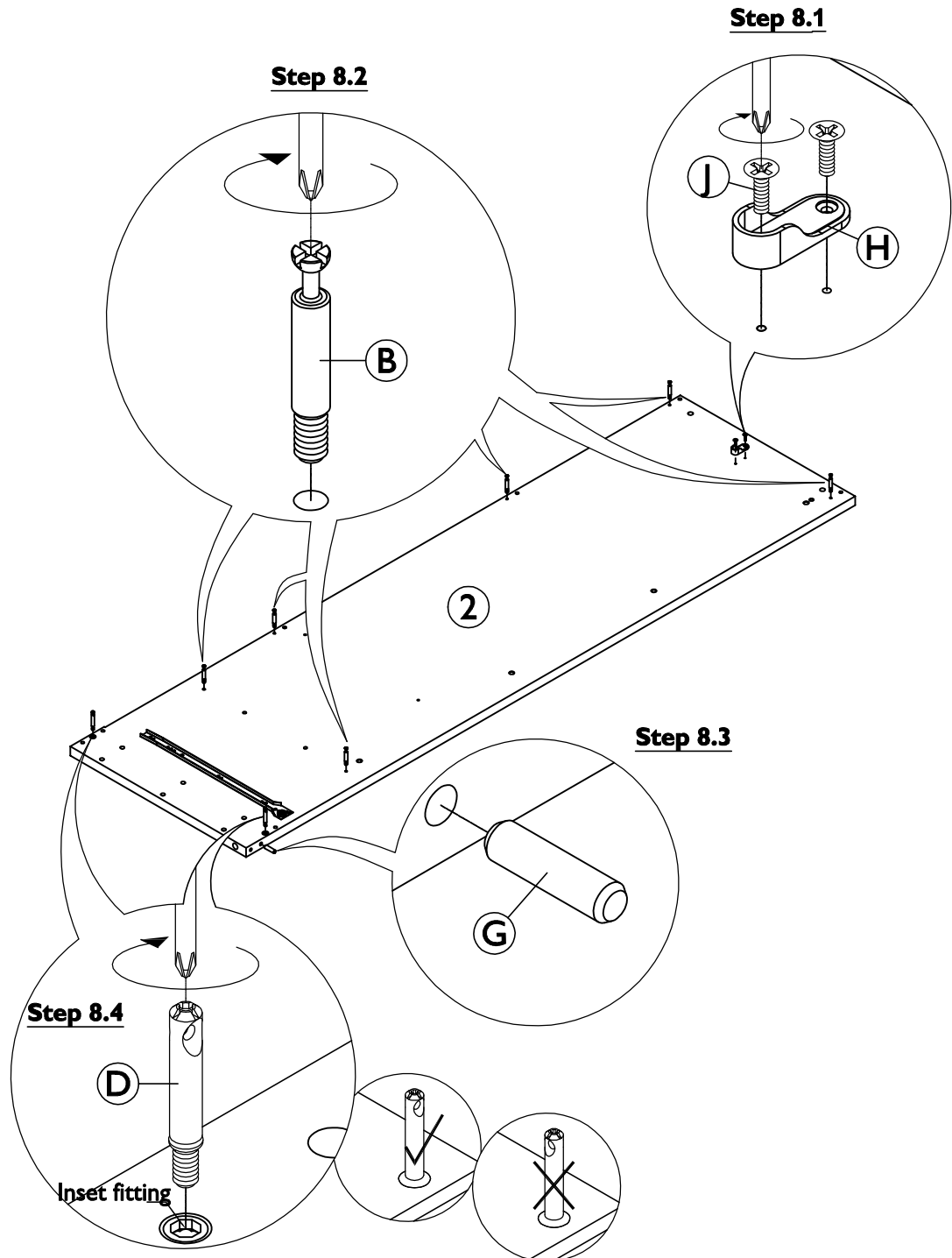
G x 1



H x 1

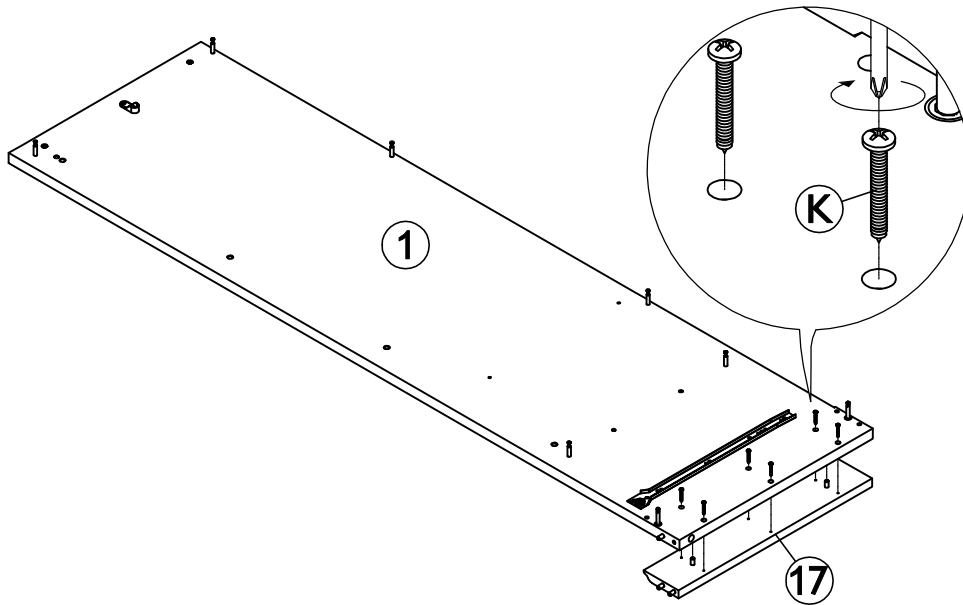


J x 2

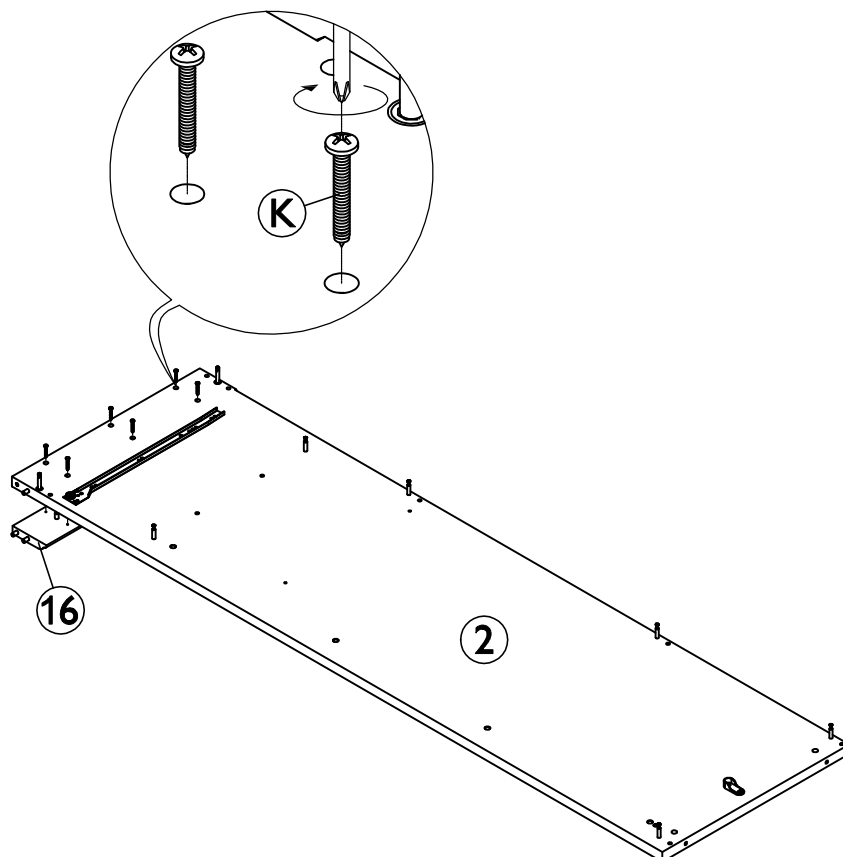
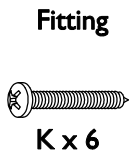


Step by step assembly instructions

Step 9 : Attach left moulding (17) onto left side panel (1) using 6x round head screws (K) as shown. Ensure dowels (G) are aligned correctly with the holes of mating parts before attaching. Use a screwdriver to turn fittings (K) clockwise to fix.



Step 10 : Attach right moulding (16) onto right side panel (2) using 6x round head screws (K) as shown. Ensure dowels (G) are aligned correctly with the holes of mating parts before attaching. Use a screwdriver to turn fittings (K) clockwise to fix.



Step by step assembly instructions

- Step 11**
- 11.1: Attach rails (10), (11), (12) and bottom panel (4) onto left side panel (1) as shown. Ensure cam screws (B) and dowels (G) are aligned correctly with the holes of mating parts before attaching.
 - 11.2: Secure all parts (10), (11), (12) and (4) to left side panel (1) using 6x cam locks (A) as shown. Use a screwdriver to turn fittings (A) clockwise to fix.
 - 11.3: Attach rails (13), (14) onto left side panel (1) as shown. Ensure steel dowels (D) and dowels (G) are aligned correctly with the holes of mating parts before attaching.
 - 11.4: Secure all parts (13), (14) to left side panel (1) using 2x grub screws (C) as shown. Use a screwdriver to turn fittings (C) clockwise to fix.

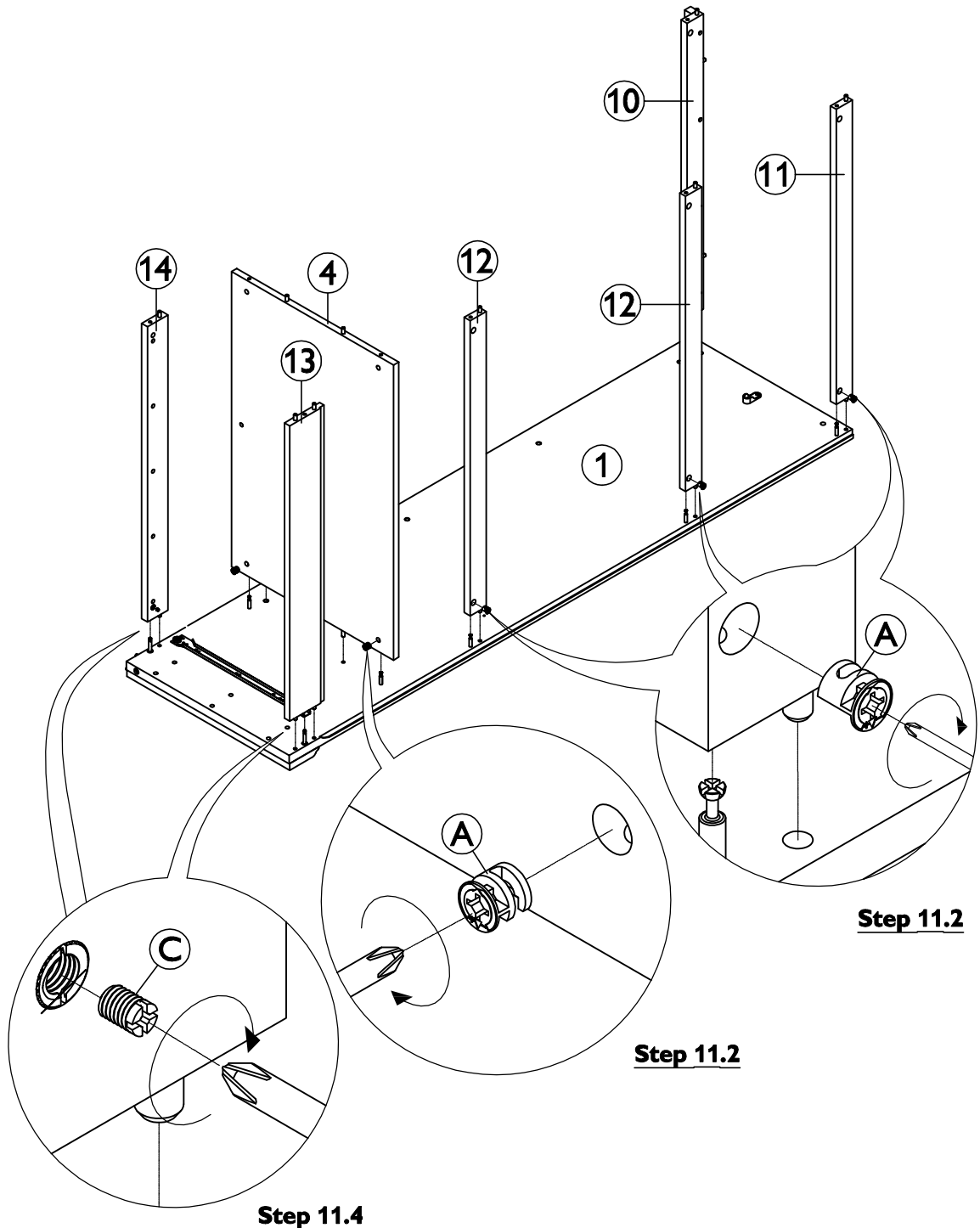
Fitting



A x 6



C x 2



Step 11.2

Step 11.2

Step 11.4

Step by step assembly instructions

Step 12

- 12.1: Attach right side panel (2) onto rails (10), (11), (12) and bottom panel (4) as shown. Ensure cam screws (B) and dowels (G) are aligned correctly with the holes of mating parts before attaching.
- 12.2: Secure right side panel (2) to all parts (10), (11), (12) and (4) using 6x cam locks (A) as shown. Use a screwdriver to turn fittings (A) clockwise to fix.
- 12.3: Attach right side panel (2) onto rails (13), (14) as shown. Ensure steel dowels (D) and dowels (G) are aligned correctly with the holes of mating parts before attaching.
- 12.4: Secure right side panel (2) to all parts (13), (14) using 2x grub screws (C) as shown. Use a screwdriver to turn fittings (C) clockwise to fix.

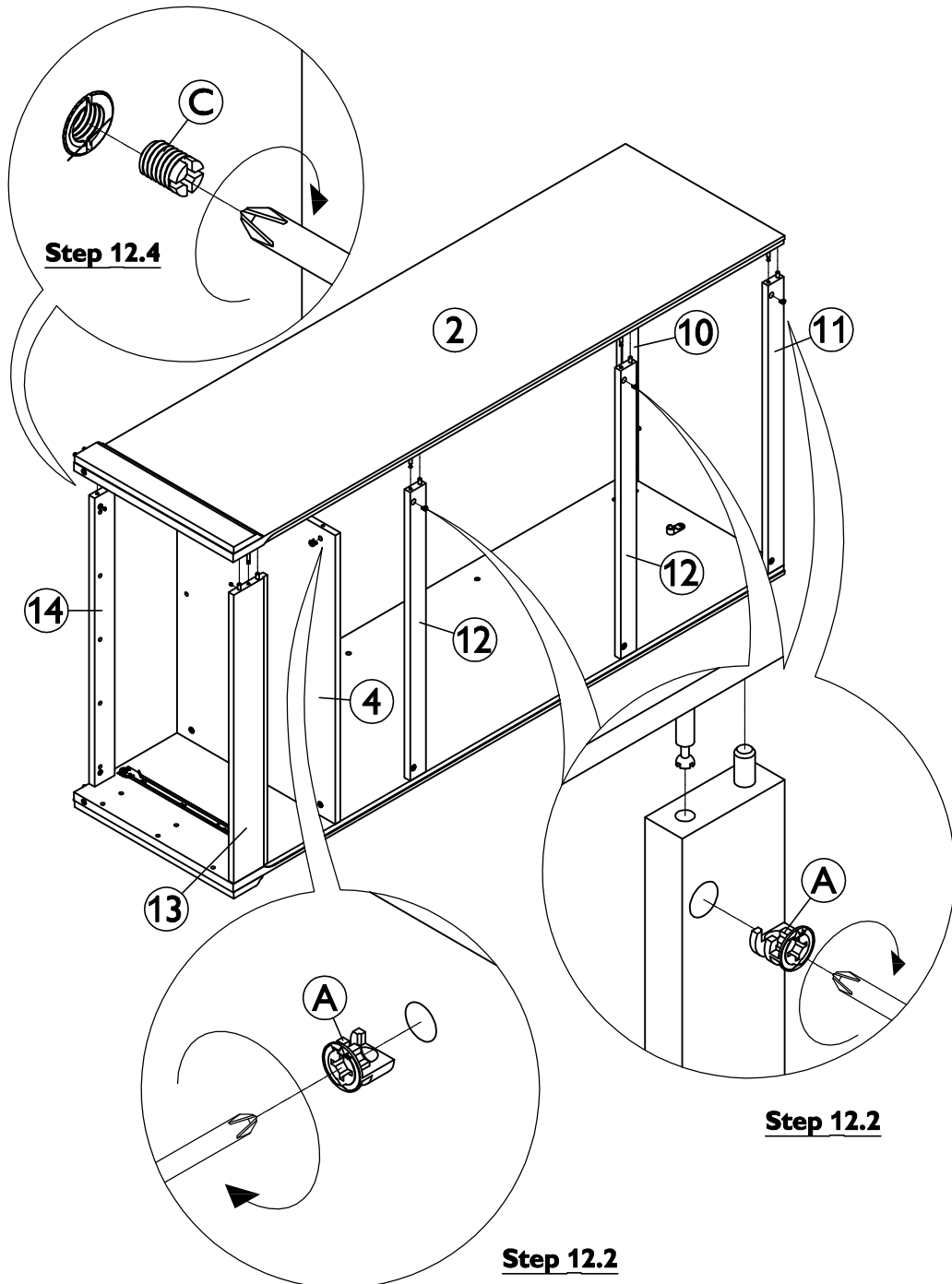
Fitting



A x 6



C x 2



Step by step assembly instructions

Step 13

- 13.1: Attach front moulding (15) onto right and left mouldings (16), (17) and rail (14) as shown. Ensure cam screws (B) and dowels (G) are aligned correctly with the holes of mating parts before attaching.
- 13.2: Secure front moulding (15) to all parts (16), (17) using 2x cam locks (A) and to rail (14) using 5x round head screws (L) as shown. Use a screwdriver to turn fittings (A), (L) clockwise to fix.
- 13.3: Attach top panel (3) onto rails (10), (11) and left and right side panels (1), (2) as shown. Ensure steel dowels (D) and dowels (G) are aligned correctly with the holes of mating parts before attaching.
- 13.4: Secure top panel (3) to all parts (10), (11), (1) and (2) using 4x grub screws (C) and 4x hex head bolts (M) as shown. Use a screwdriver to turn fittings (C) and allen key (E) to turn fittings (M) clockwise to fix.

Fitting



A x 2



C x 4



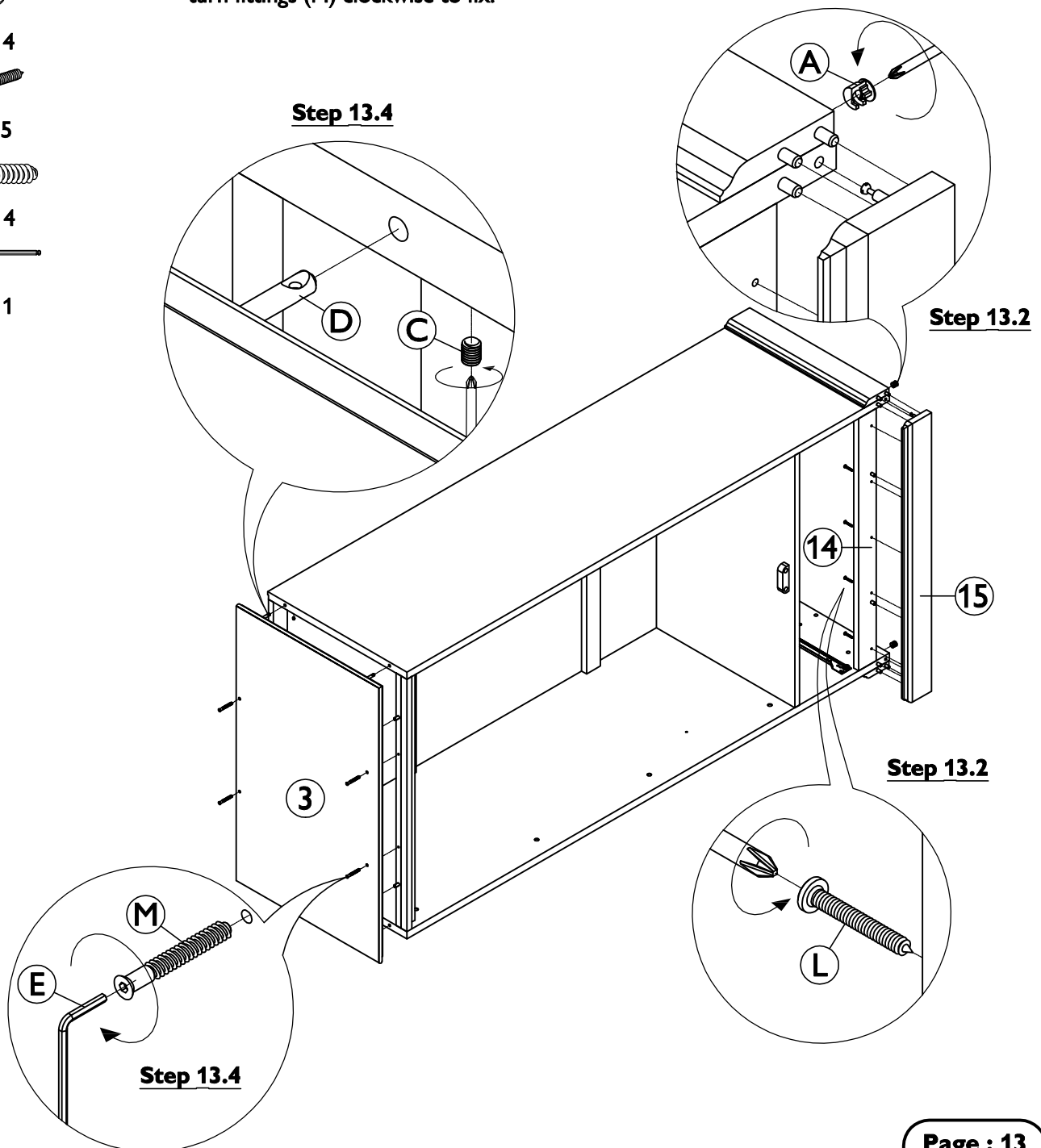
L x 5



M x 4



E x 1



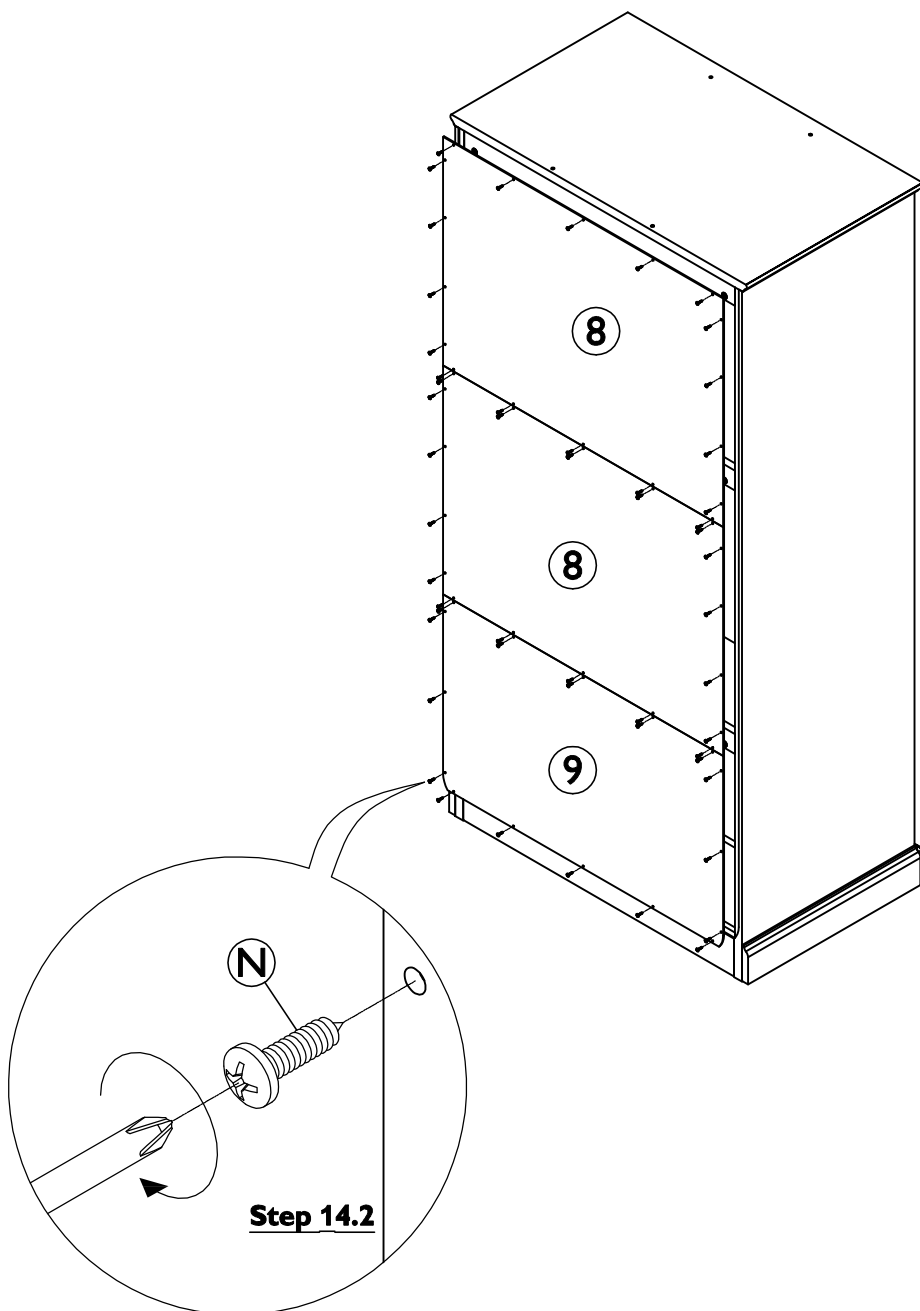
Step by step assembly instructions

- Step 14**
- 14.1: With help of assistant, carefully stand the unit upright.
14.2: Attach back panels (8), (9) onto back side of the unit using 52x round head screws (N) as shown. Use a screwdriver to turn fittings (N) clockwise to fix.

Fitting

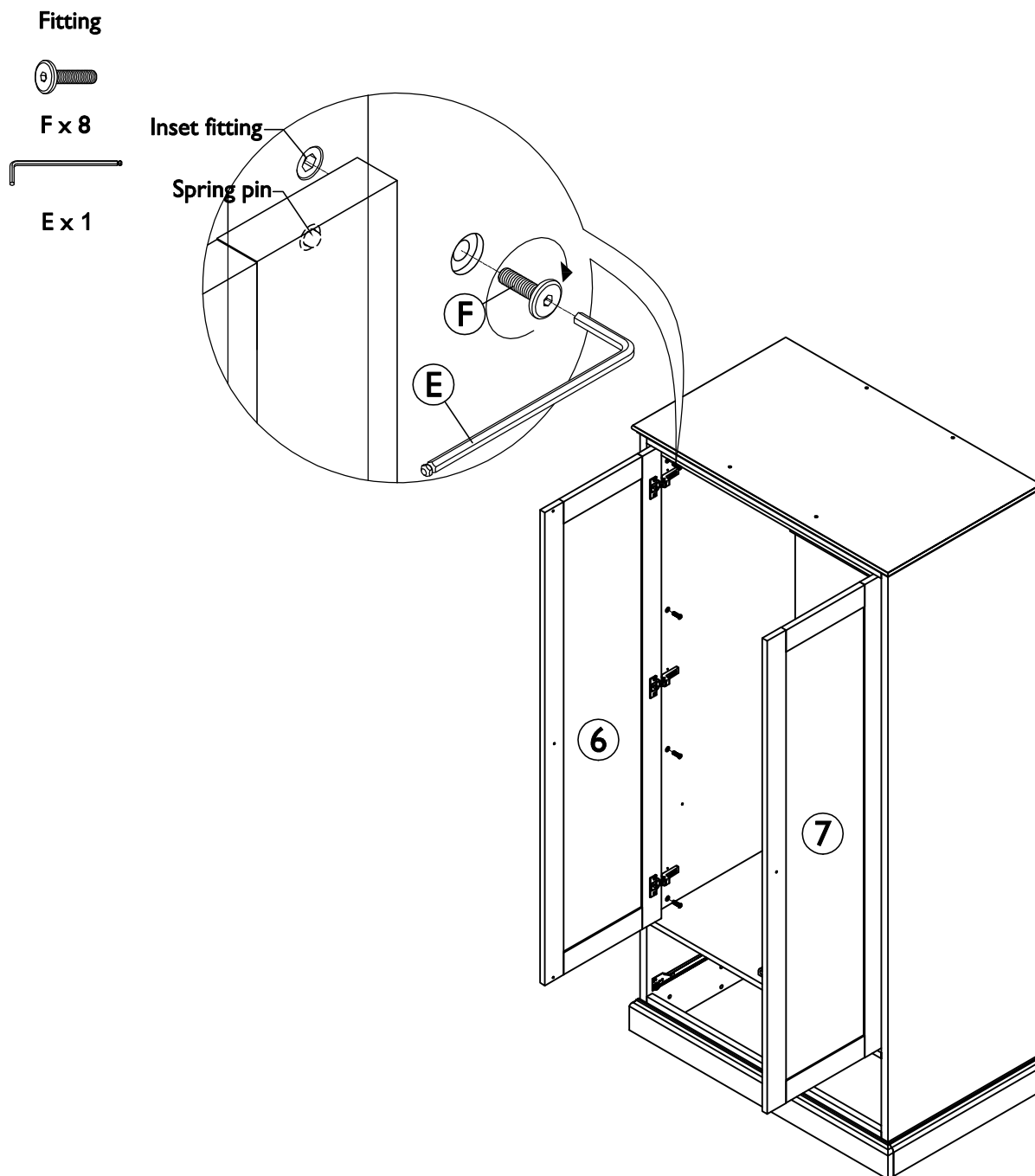


N x 52



Step by step assembly instructions

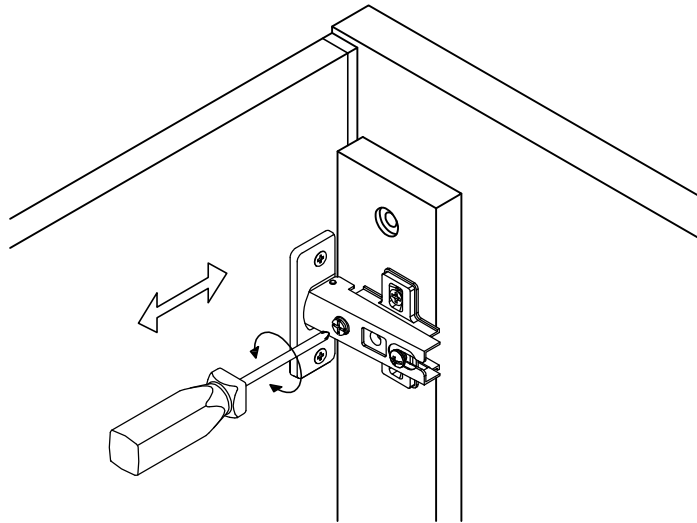
Step 15 : Attach doors (6) and (7) to side panels (1) and (2) by screwing 8x bolts (F) into inset fittings that are located on parts (1) and (2) as shown. Ensure the holes on doors are aligned correctly with the mating spring pins on side panels before attaching. Use allen key (E) to turn fittings (F) clockwise to fix.



HINGE ADJUSTMENT INSTRUCTIONS

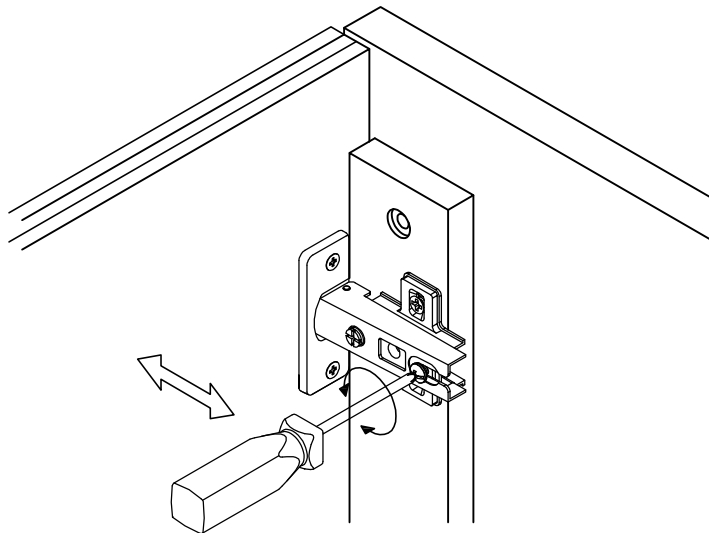
LATERAL ADJUSTMENT

by screw adjustment.



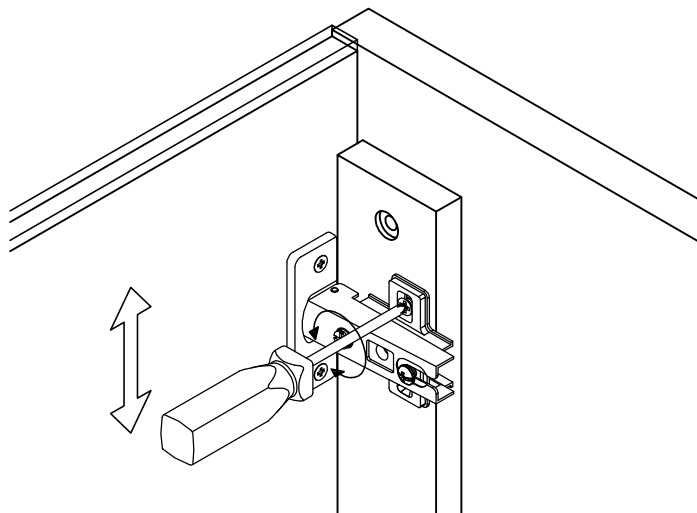
FRONT-TO-BACK

by slackening and retightening the hinge-arm mounting screw.



VERTICAL ADJUSTMENT

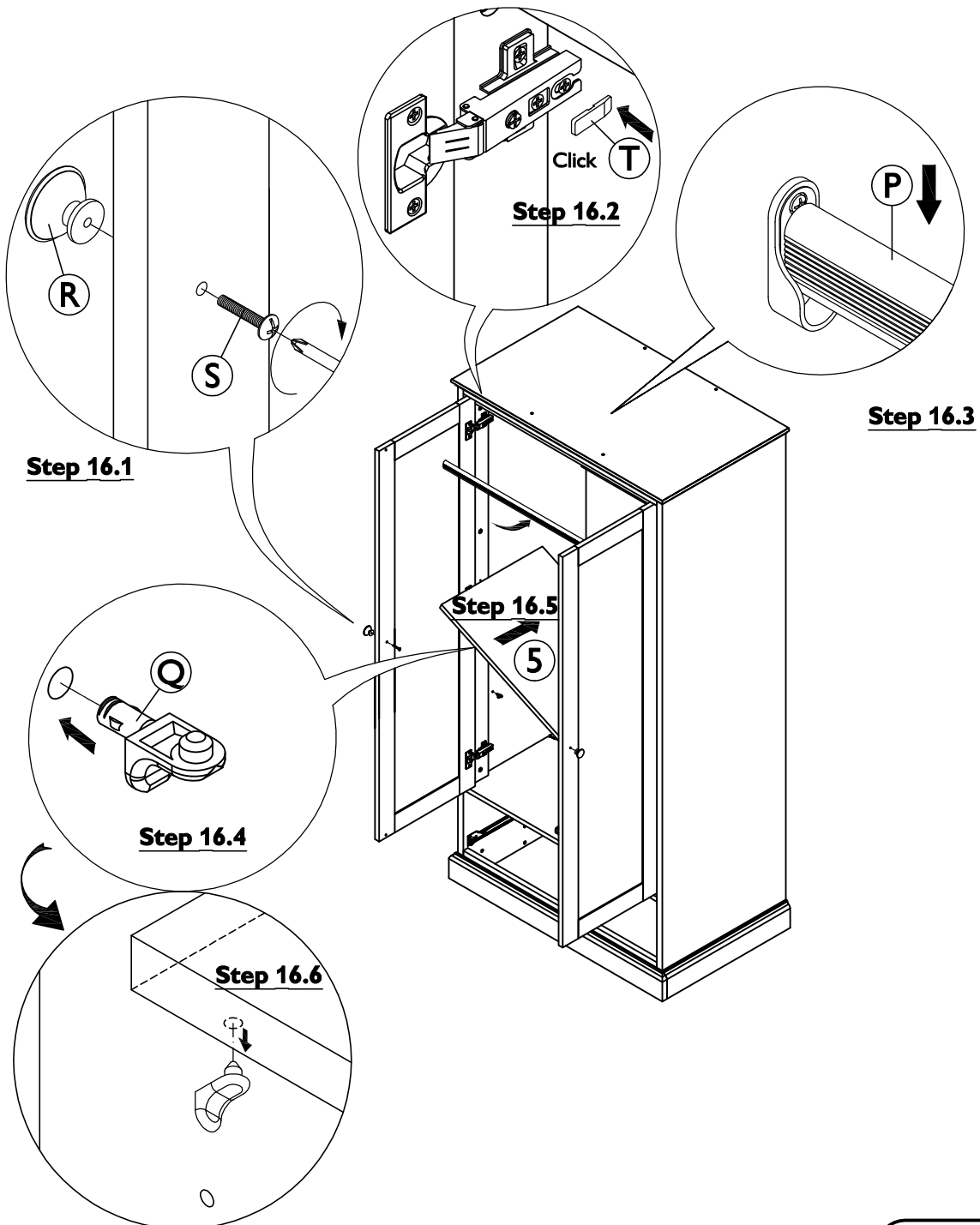
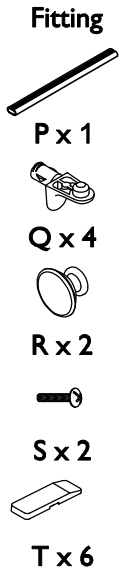
via slots on mounting plate by slackening and retightening the screws on mounting plate



Step by step assembly instructions

Step 16

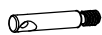
- 16.1: Attach 2x handles (R) to doors (6), (7) using 2x round head bolts (S) as shown. Use a screwdriver to turn fittings (S) clockwise to fix.
- 16.2: Attach 6x hinge cover caps (T) onto all hinge arms. Push to clip on as shown.
- 16.3: Place hanger rail (P) onto hanger rail supports (H) on left & right sides of unit as shown.
- 16.4: Insert 4x wood shelf supports (Q) into the pre-drilled holes on left and right side panels (1) & (2) as shown.
- 16.5: Tilt shelf (5) to a suitable angle as shown in the picture so as to slide it in.
- 16.6: Slide shelf (5) into the unit. Ensure the holes on shelf are facing down, then place it onto the pins of wood shelf support (Q) as shown.



Step by step assembly instructions

- Step 17** 17.1: Attach 2x small steel dowels (U) into drawer front (19) by screwing fittings (U) into the inset fittings that are located on part (19) as shown. Ensure the direction of the holes on fittings (U) are facing correctly as per diagram.
- 17.2: Insert 4x dowels (dd) into the pre-drilled holes drawer on sides (20), (21) as shown.

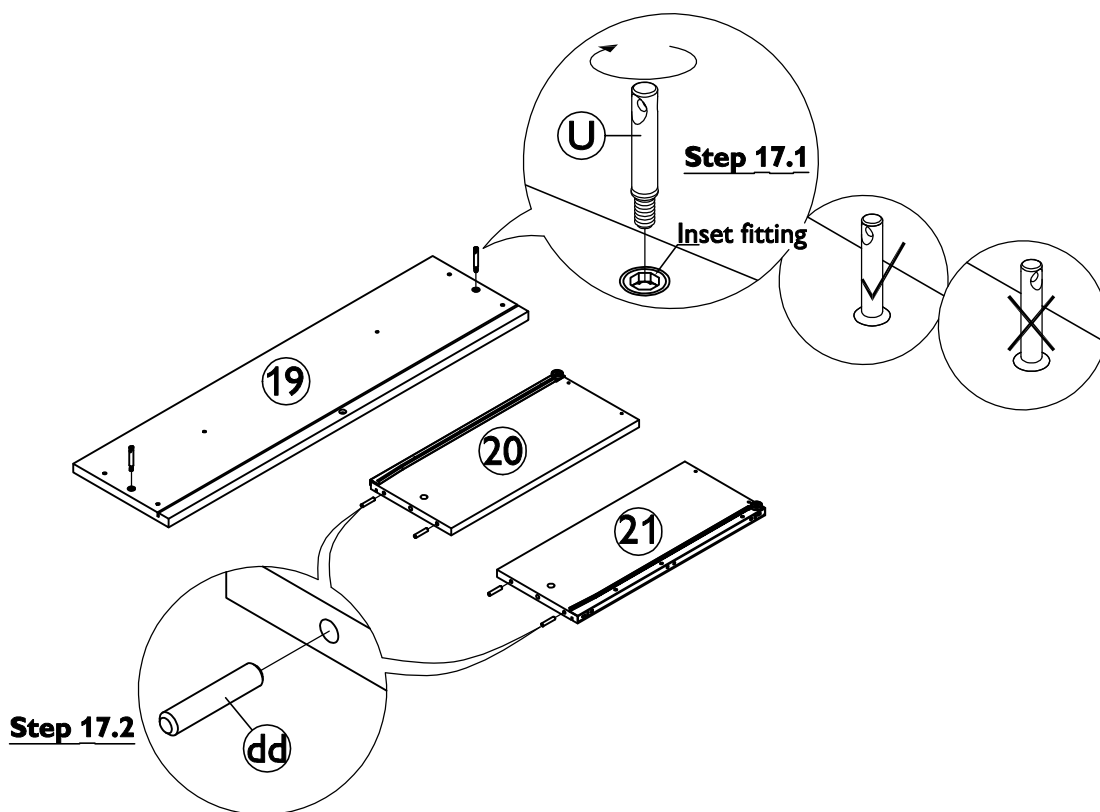
Fitting



U x 2



V x 4

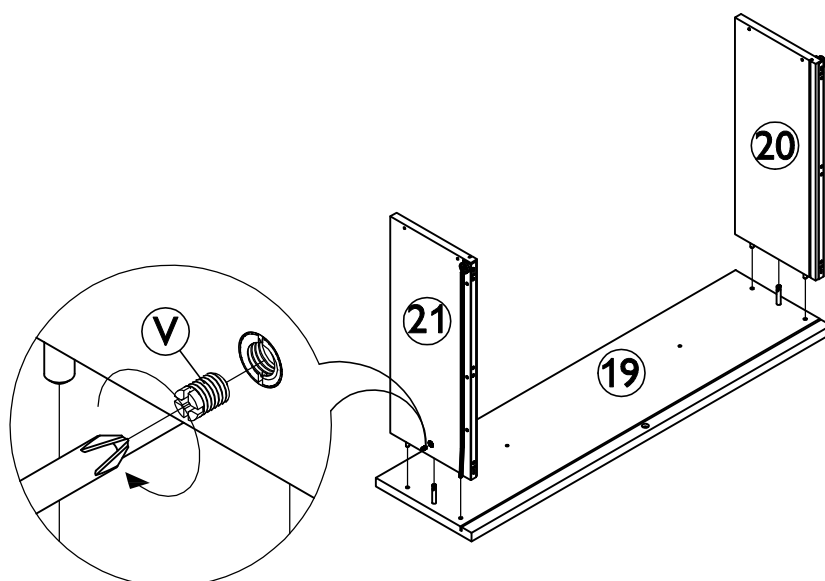


- Step 18** : Attach drawer sides (20) & (21) onto drawer front (19) using 2x small grub screws (V) as shown. Ensure small steel dowels (U) and dowels (dd) are aligned correctly with the holes of mating parts before attaching. Use a screwdriver to turn fittings (V) clockwise to fix.

Fitting

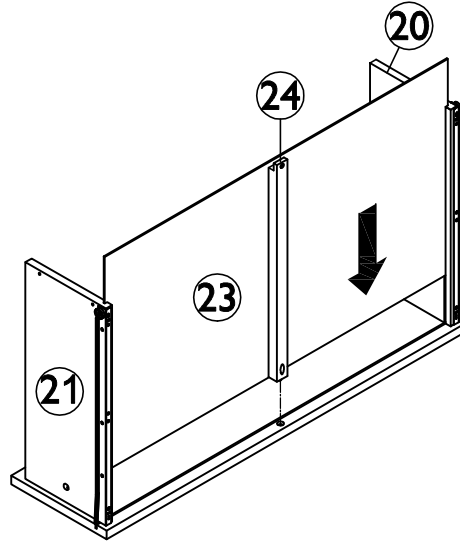


V x 2



Step by step assembly instructions

- Step 19**
- 19.1: Slide drawer bottom (23) into the slots inside drawer sides (20) & (21) as shown. Ensure the drawer bottom (23) is placed completely in the slot of drawer front (19).
- 19.2: Attach support drawer (24) onto drawer front (19) as shown.



- Step 20**
- 20.1: Place drawer back (22) onto the top of constructed drawer box. Ensure the slot under drawer back (22) is aligned correctly with drawer bottom (23) before attaching.
- 20.2: Secure drawer back (22) to the drawer box using 4x round head screws (Y) as shown. Use a screwdriver to turn fittings (Y) clockwise to fix.
- 20.3: Secure wood support drawer (24) to drawer back (22) using 1x round head screw (X) and to drawer front (19) using 1x round head screw (L) as shown. Use a screwdriver to turn fittings (X), (L) clockwise to fix.

Fitting



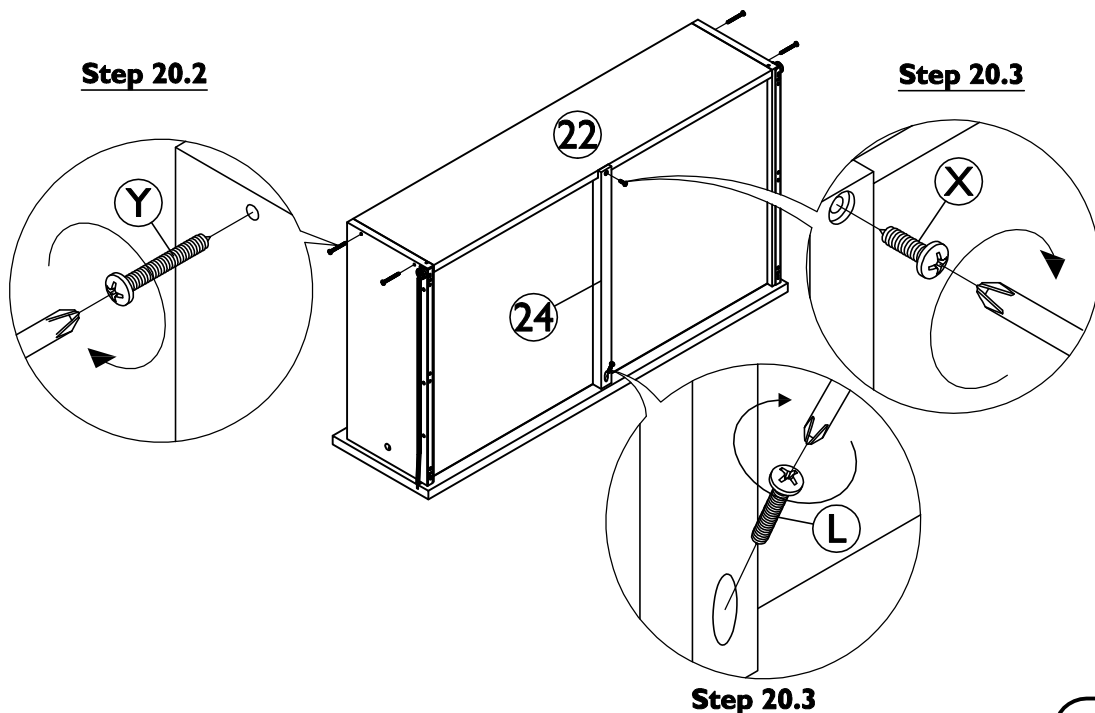
L x 1



Y x 4



X x 1



Step by step assembly instructions

Step 21 : Attach 2x handles (R) to drawer front (19) using 2x bolts (S) as shown. Use a screwdriver to turn fittings (S) clockwise to fix.

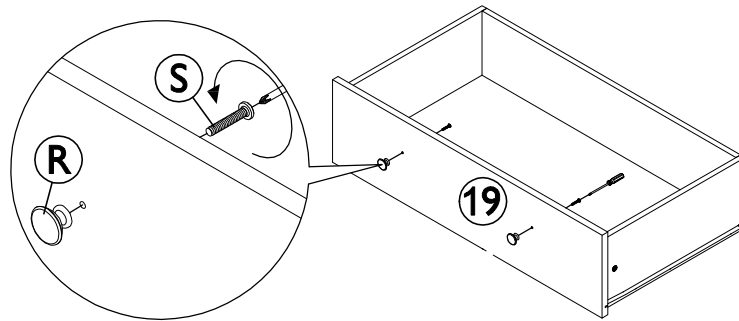
Fitting



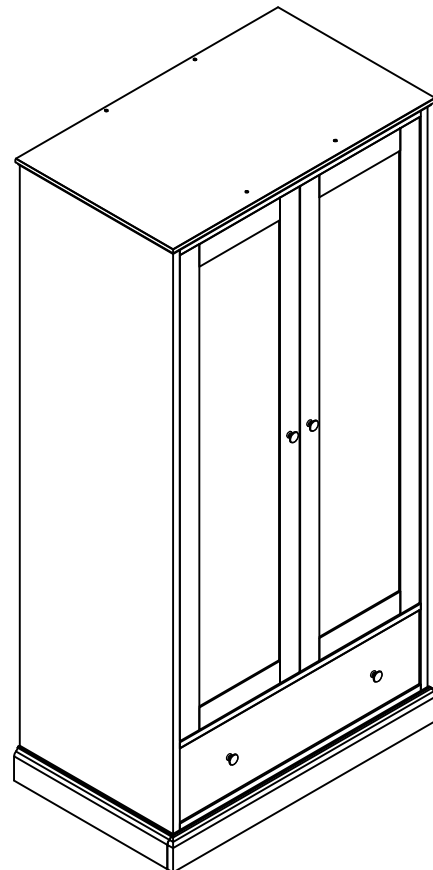
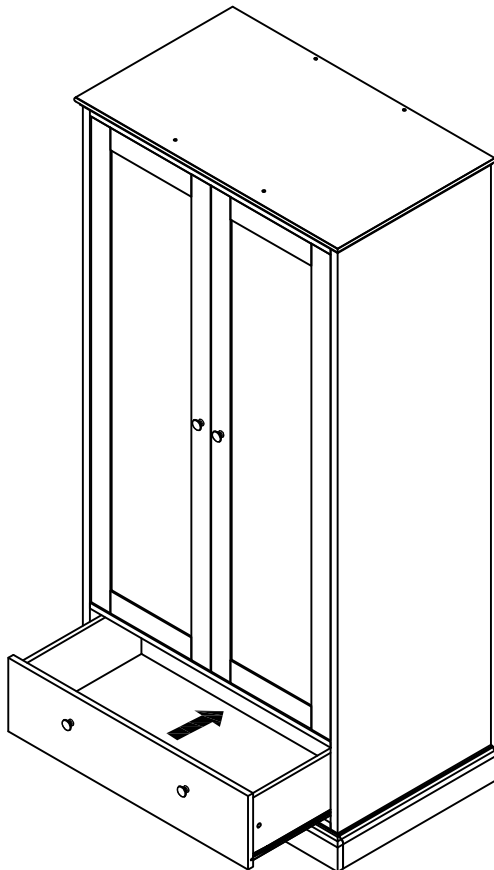
R x 2



S x 2



Step 22 : Insert the assembled drawer into the unit as shown.



Assembly is complete

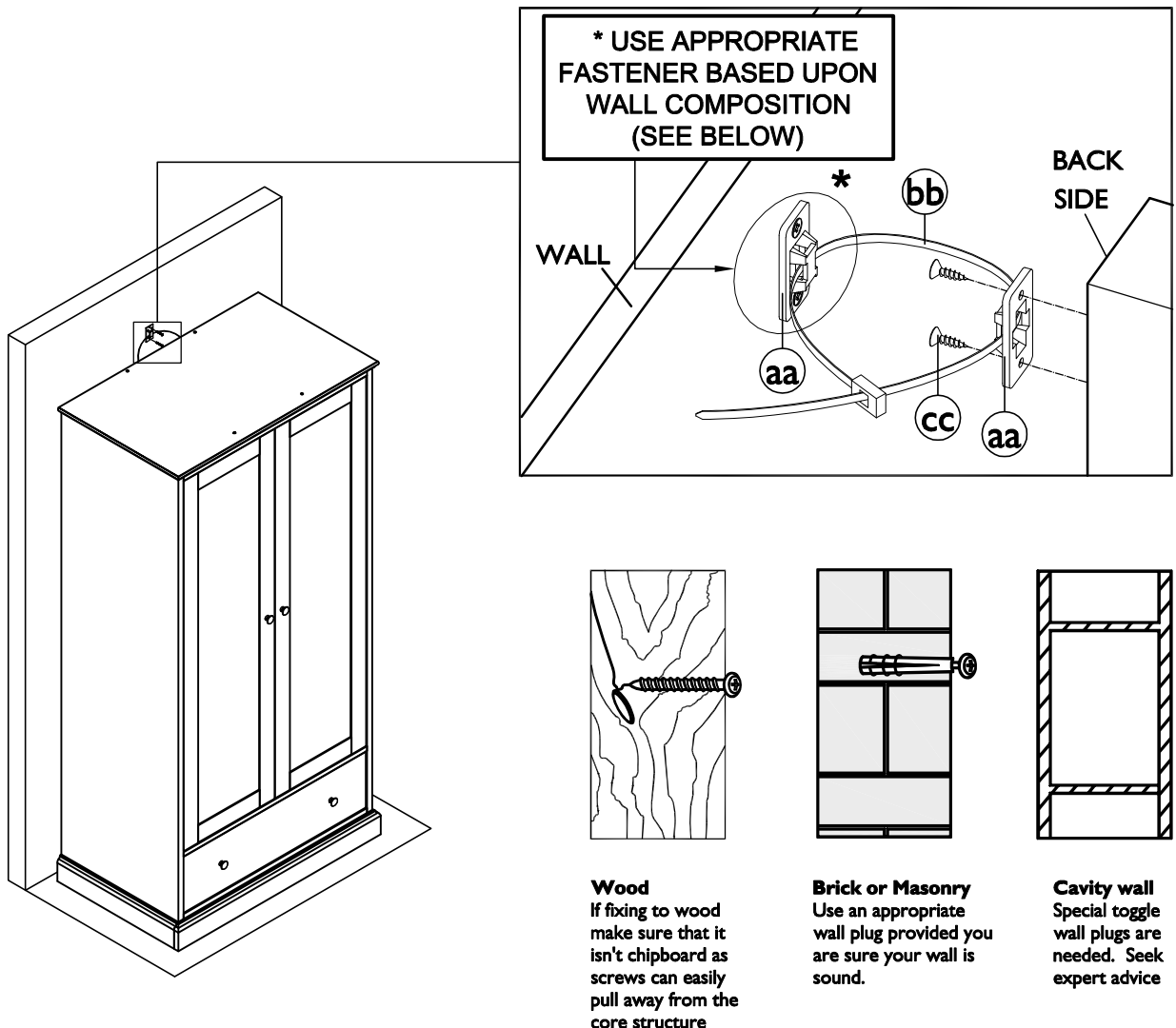
TIP KIT INSTRUCTIONS

Notice:

Notice: To prevent injury and property damage from unexpected tipping of furniture, we highly recommend installation of the anti-tip kit included with this product.

Attaching furniture to wall with anti-tip kits

1. Determine where the piece is to be placed and mark location on the wall for the mounting bracket screw holes. They should be placed approximately 1" below the top on the back of the piece of furniture.
2. Drill the hole and use the appropriate wall plug that is suitable for your walls composition.
Warning: Before drilling check wall for hidden pipes and cables.
3. Attach the mounting bracket vertically to the wall using appropriate fastener, through the holes in the bracket and 2 wall plugs that are suitable to your wall and then tighten securely.
4. Next using the short screws attach the 2nd bracket to the back of the piece of furniture's top.
5. Lace the nylon strap down through the brackets. Slide the thin end of the strap through the receiving end on the nylon strap. Pull to tighten the piece of furniture snug against wall.



CARE INSTRUCTIONS:

1. Hardware may loosen overtime. Periodically check that all connections are tight and re-tighten as necessary.
2. Wipe with a soft, dry cloth. To protect finish, avoid the use of chemicals and household cleaners.

Care and Maintenance

Wood Furniture

Wood displays different grain patterns depending on which way they are cut - for example, the 'medullary ray' which can appear on oak furniture is a mark of good quality timber - these are just characteristics of the natural beauty of the wood.

Some furniture is also deliberately aged and rustic.

Wood veneers also allow distinctive patterns to be created on some surfaces, such as table tops and drawer fronts by the way slivers are arranged.

All timber and veneer surfaces will change colour and mellow over time. New furniture will initially vary in shade from items that have been previously purchased.

How to care for your wood furniture

Dust with a clean, damp, lint free cloth. Frequent dusting will remove abrasive build up, which can damage the finish over time.

Do not use a very wet cloth or allow any liquid to contact with the veneers for a long period of time as this can permanently damage the surface. Wipe up spills immediately.

Do not use any abrasive cleaner or harsh detergent as this can damage the surface of the furniture.

Spray polishes are best avoided as they contain silicones which may spoil the furniture's surface when building up over time.

Make sure all surfaces are protected from heat and liquids by mats and coasters.

Ensure that a mat or pad is placed under paper when you are writing on the furniture surface.

Do not place rubber, cork, vinyl or plastic materials on the wood finish as chemicals within may react with the finish if left in contact for an extended period of time.

Our furniture will endure most temperatures in the home but it is best to avoid placing furniture next to heat sources such as radiators or fires. Be particularly careful with solid wood as the lack of humidity caused by home heating can cause damage such as warping, cracking or splitting.

Excessive exposure to sunlight can cause fading of your furniture.

Avoid exposing your furniture to any liquids. All liquids should be wiped up immediately with a soft, slightly damp cloth in the direction of the wood grain. If sticky liquid residues do occur, they may be removed with a dilute solution of warm soapy water followed by a clean, damp sponge. The area should then be wiped immediately in the direction of the wood grain with a clean, soft white cloth until completely dry.

Nail polish remover, hairspray, perfume, potpourri & any other products that contains solvents can damage wood upholstery finishes.

Safety Instructions:

Never drag furniture when moving it. Always lift it.

Periodically check all fixings to ensure none have come loose. Re-tighten when necessary.

Please take care when handling or moving the furniture as careless handling may cause damage or injury.

Furniture can be dangerous if incorrectly assembled. Assembly should be carried out by a competent person.

No liability will be accepted for damage or injury caused by incorrectly installed or assembled furniture.

Heavy item warning:

It is recommended to seek assistance when moving a heavy object. Take care when lifting to avoid personal injury and (or) damage to the product.

It is recommended that before moving a heavy object to a new location it is completely dis-assembled to avoid personal injury or damage to the furniture. Please be careful to retain all fittings when doing this.

PLEASE KEEP THESE INSTRUCTIONS FOR FUTURE REFERENCE